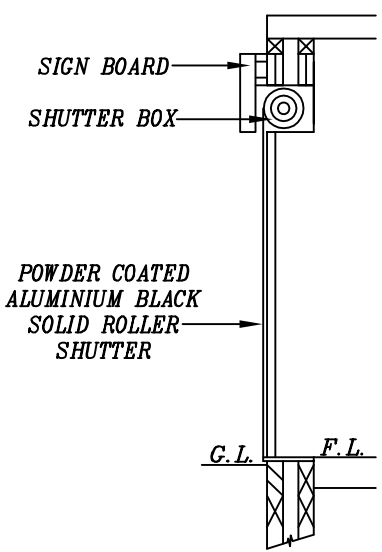
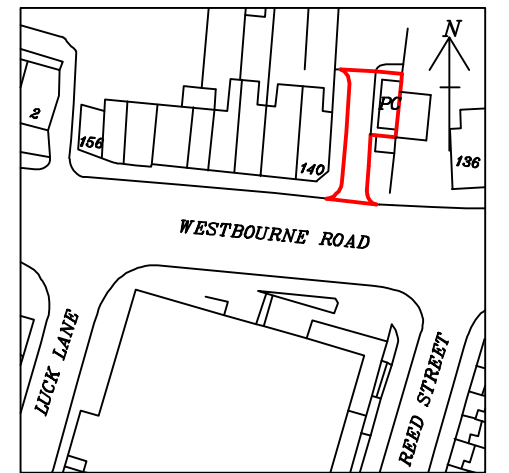


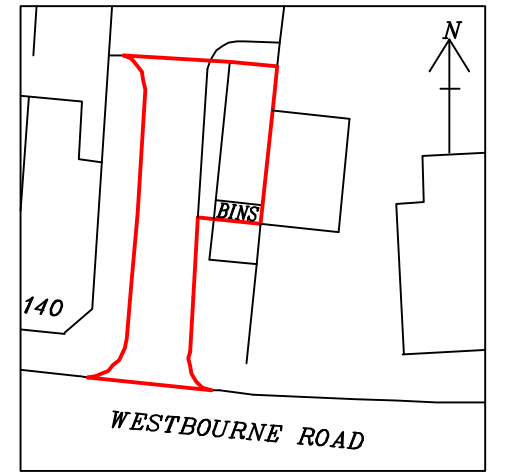
PROPOSED FRONT ELEVATION  
(CLOSED ROLLER SHUTTERS)



SECTION  
SCALE: 1:50



LOCATION PLAN  
SCALE: 1:1250



SITE PLAN  
SCALE: 1:500

PROPOSED BARBERS SHOP  
WITH SIDE EXTENSION, NEW  
ALUMINIUM FRONTAGE &  
ROLLER SHUTTERS AT  
FORMER PUBLIC  
CONVENIENCES, WESTBOURNE  
ROAD, MARSH, HUDDERSFIELD,  
HD1 4LF, FOR MR SHEIKH

SCALE: 1:100(A3)	DATE: OCT 2022	DRAWN BY: ZESHAN KHAWAJA
PLANNING/BUILD REGS		DRAWING NUMBER: 22/2875/FS4

**Khawaja**  
PLANNING SERVICES  
TEL: 01274 618780 MOB: 07956 184960