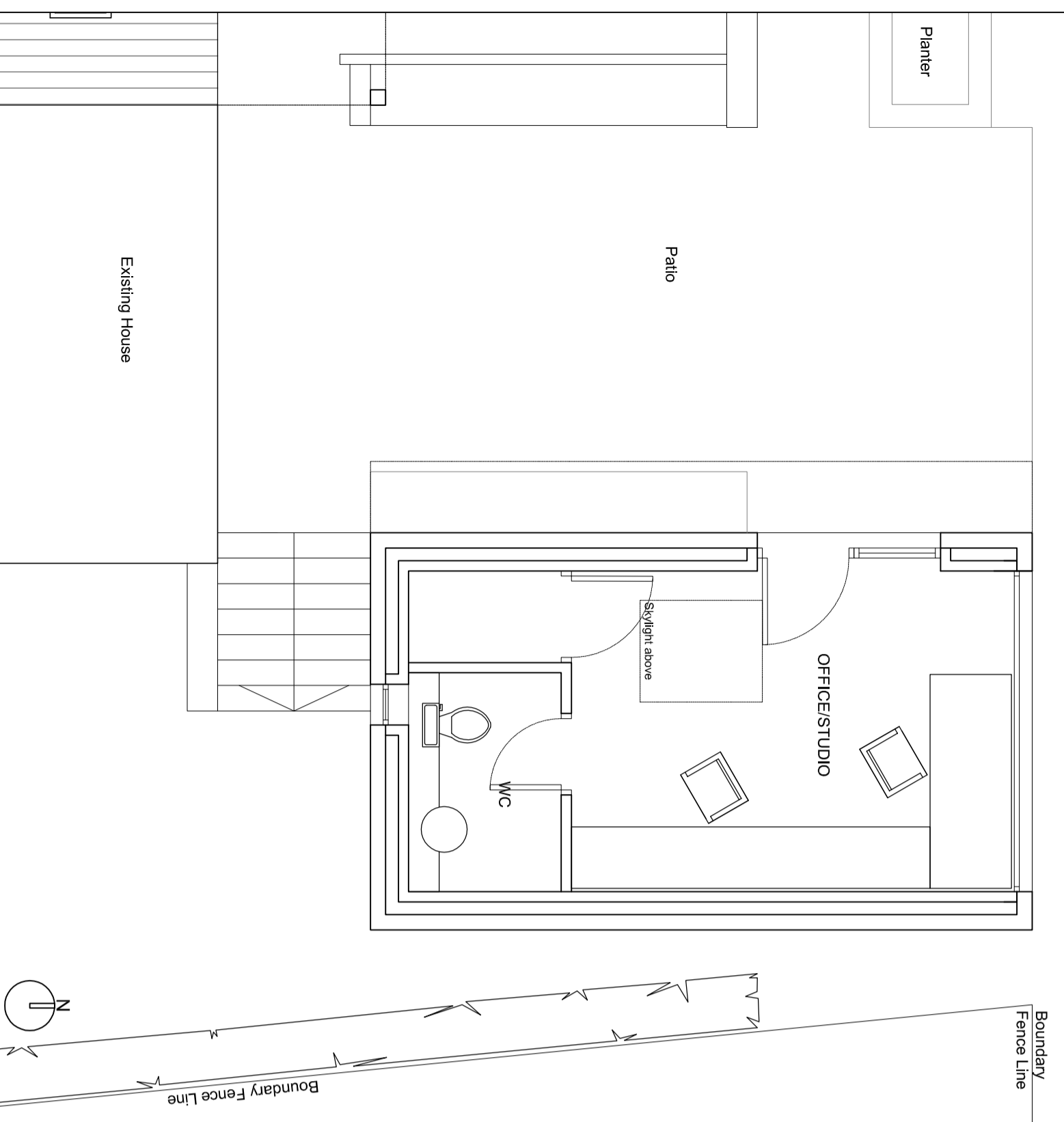
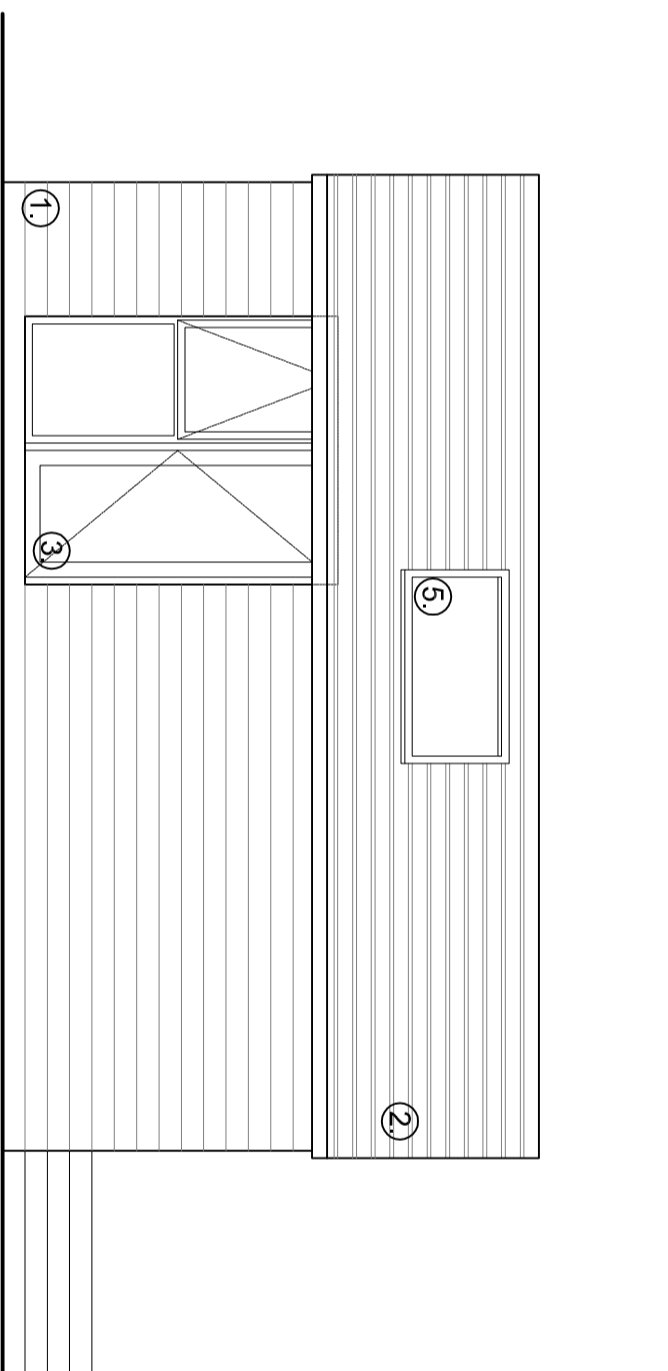


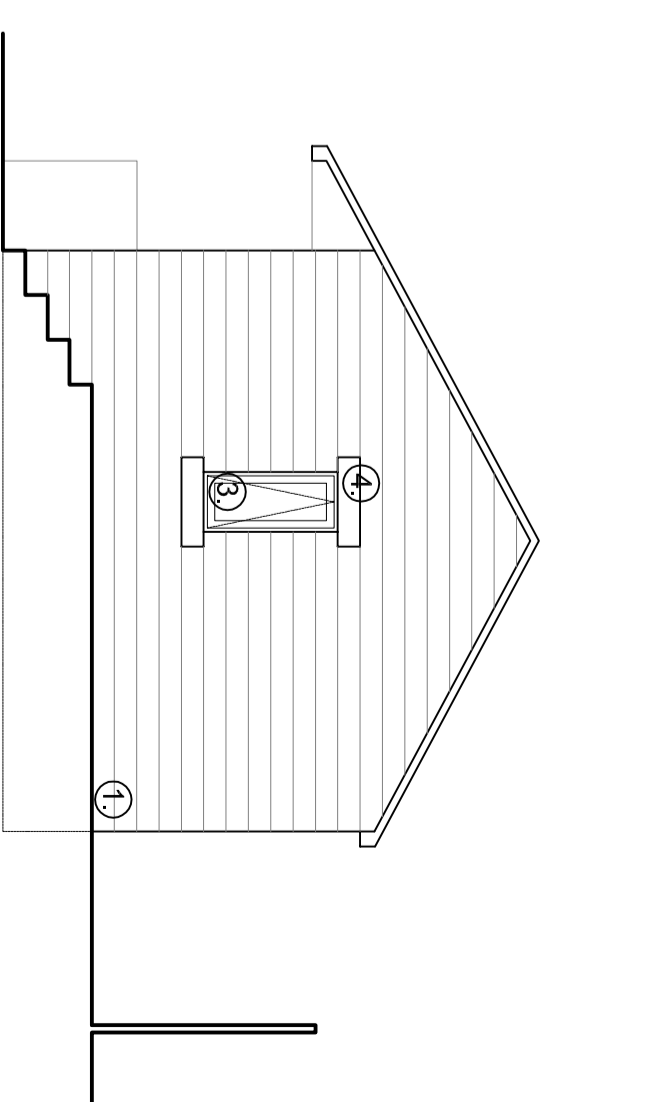
- ① Reconstituted stone to walls to match existing house.
- ② Slate roof tiles to match existing house
- ③ Dark grey window & door frames to match existing house
- ④ Reconstituted stone lintels and sills to openings
- ⑤ Dark grey frame to skylight



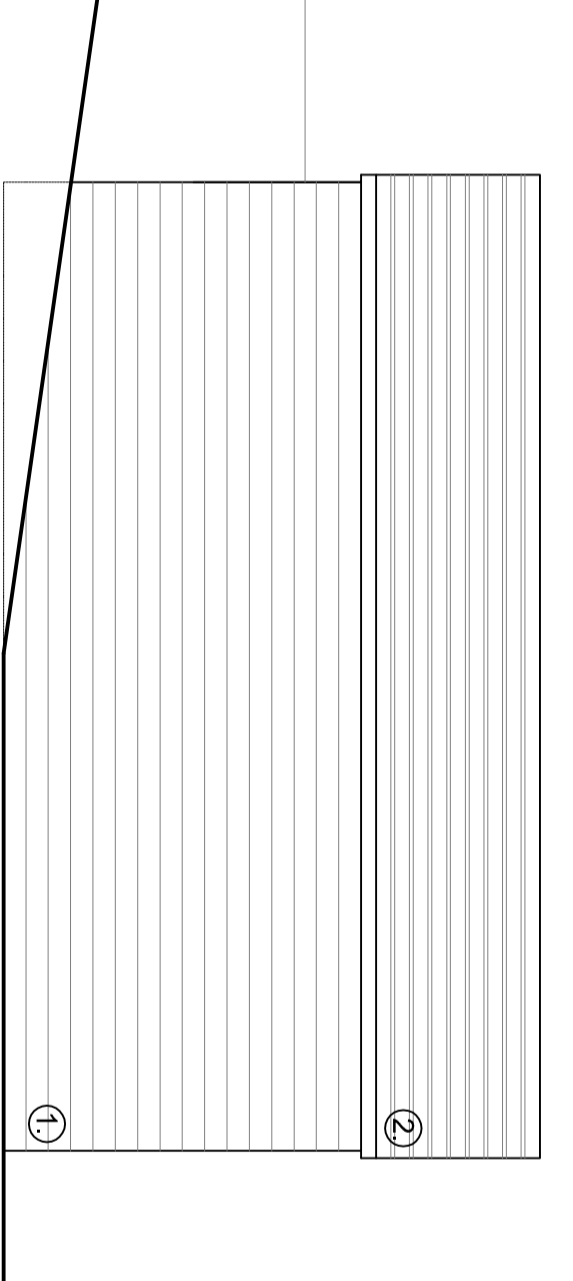
PROPOSED PLAN OF STUDIO/OFFICE 1:50 @ A2



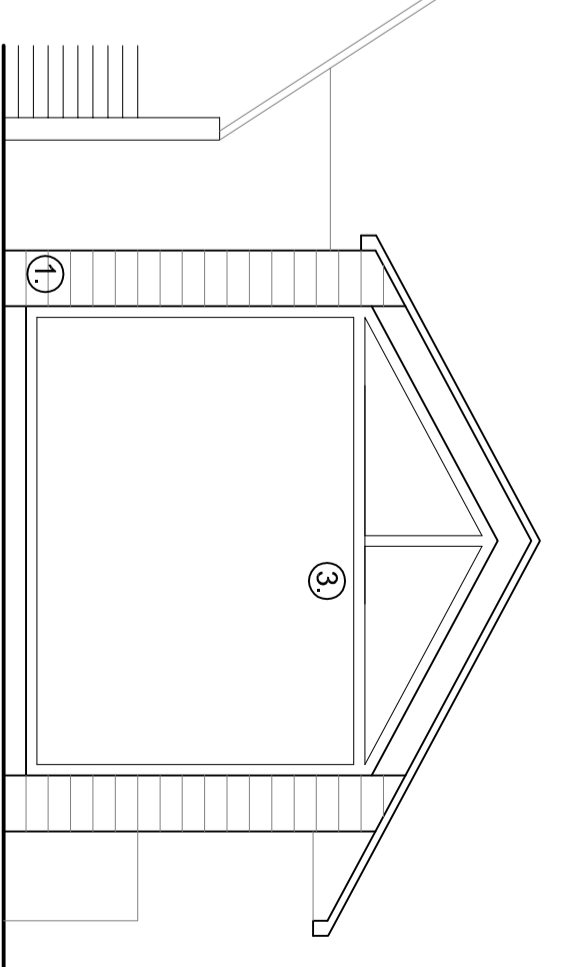
PROPOSED WEST ELEVATION (FACING PATIO) 1:50 @ A2



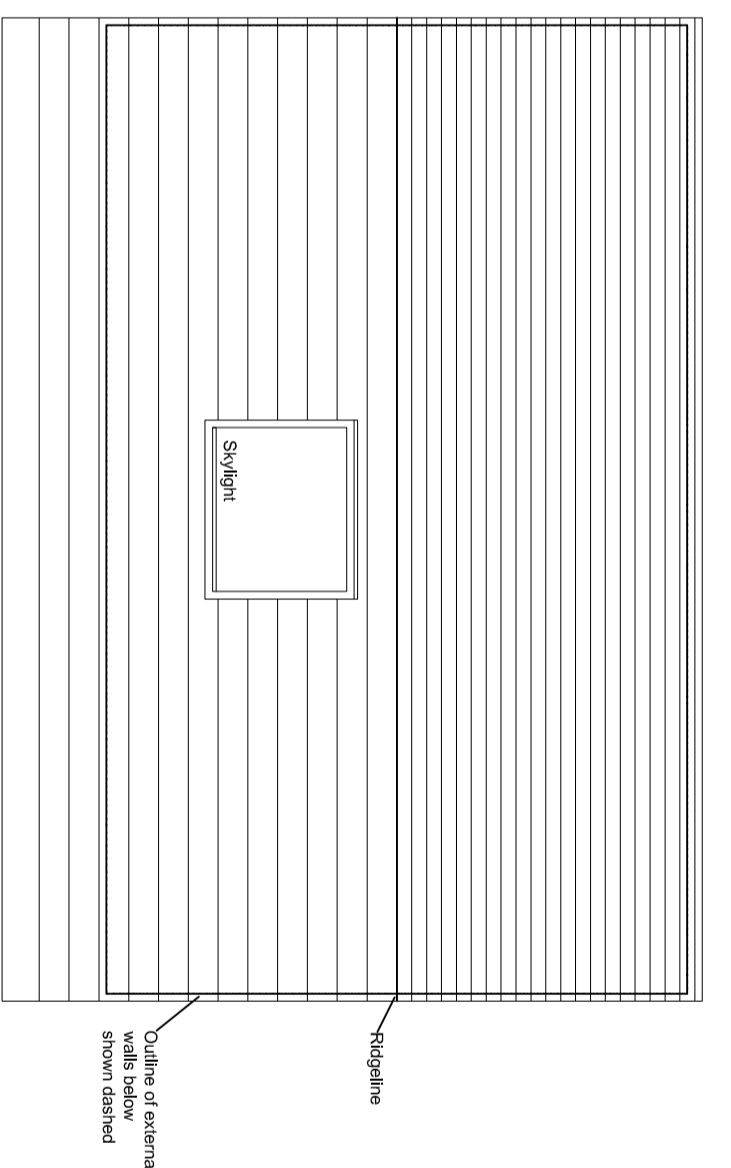
PROPOSED SOUTH ELEVATION (FACING ROAD) 1:50 @ A2



PROPOSED EAST ELEVATION (FACING BOUNDARY) 1:50 @ A2



PROPOSED NORTH ELEVATION (FACING FIELD) 1:50 @ A2



PROPOSED ROOF PLAN 1:50 @ A2