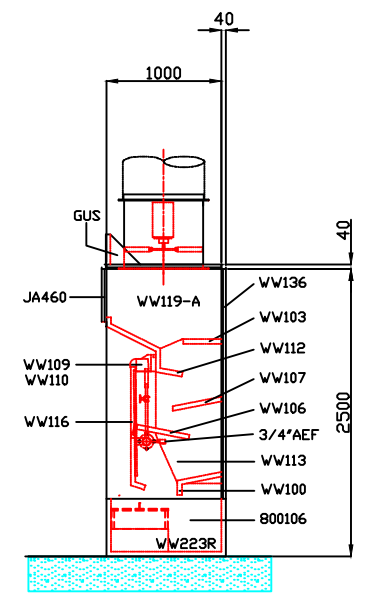
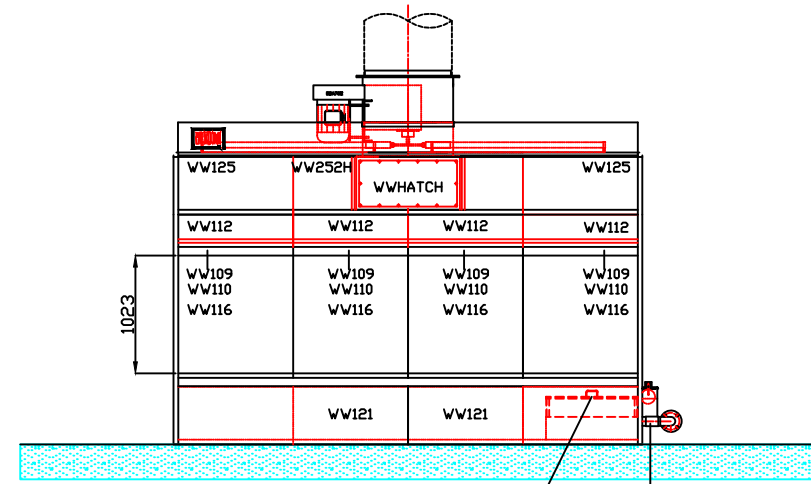


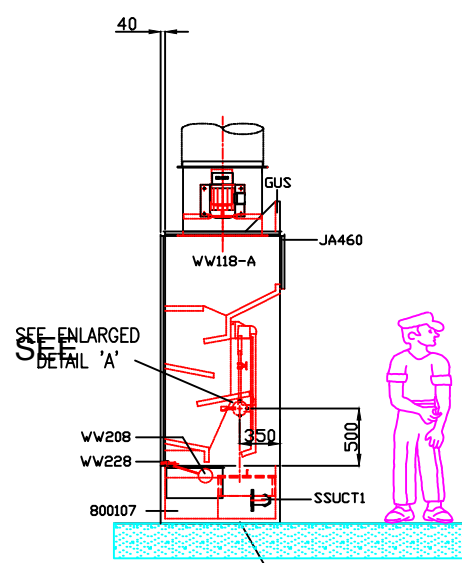
FRONT ELEVATION WITH WATER CURTAIN SCREENS REMOVED



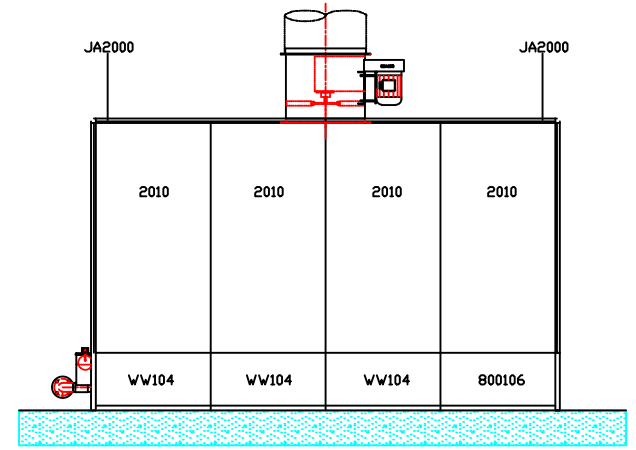
SIDE ELEVATION



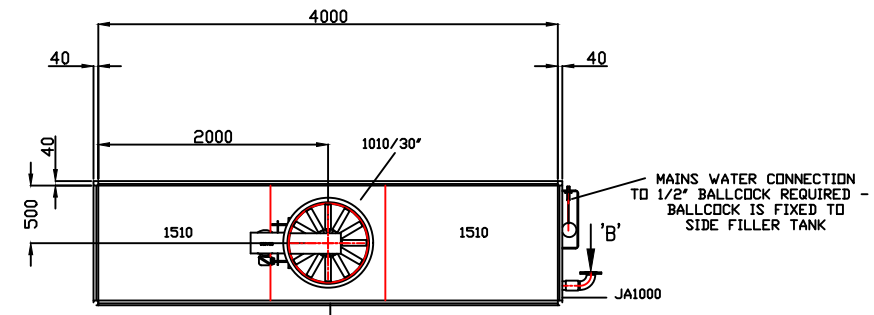
FRONT ELEVATION



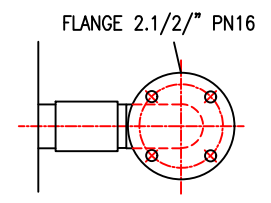
SIDE ELEVATION



REAR ELEVATION

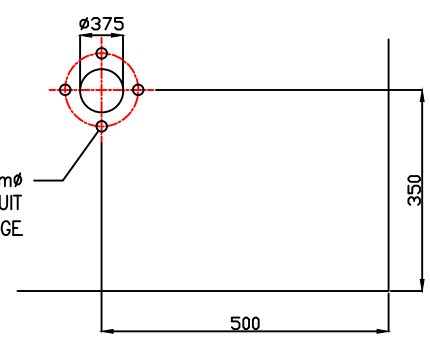


PLAN VIEW



VIEW ON ARROW B SCALE 5 : 1

4no HOLES DRILLED 18mmØ TO SUIT BS10 2 1/2" TABLE "D" FLANGE



DETAIL 'A' SHOWING CONNECTION FOR FLANGE PUMP

SCALE 5 : 1

**INSTALLATION NOTES**

- USE THIS DRAWING IN CONJUNCTION WITH PARTS LIST AND ASSEMBLY INSTRUCTIONS.
- LISTED BELOW ARE ALL FASTENINGS ON PARTS LIST AND THEIR USES. ALL OTHER COMPONENTS CAN BE LOCATED FROM THIS DRAWING AND THE ASSEMBLY INSTRUCTIONS.
  - M6 x 12 NUTS AND BOLTS - FIXING OF ALL PANELS, TANK SECTIONS AND BAFFLES.
  - 1/4" MUDGUARD WASHERS TO BE USED WITH M6 x 12 NUTS AND BOLTS ON ALL TANK JOINTS (ONE UNDER NUT AND ONE UNDER BOLT HEAD) AND WHERE BAFFLES CONNECT TO THE WASH TOWER END PANELS WW118 & 119 (WASHER ON OUTSIDE OF WASH TOWER ONLY). THEY CAN ALSO BE USED WITH M6 x 12 NUTS AND BOLTS TO FIX SCREEN SUPPORTS WW111, 127 & 128.
  - M10 NUTS AND WASHERS TO BE USED FOR JACKING PUMP UP ON PUMP STAND AND FIXING IN DESIRED POSITION.
  - M16 STEEL FLAT WASHERS TO BE USED ON PUMP PIPEWORK FLANGES WITH M16 x 60 BOLTS AND NUTS EXCEPT ON SPRAYBAR FLANGE ON INSIDE OF WASH TOWER WHICH REQUIRES M16 PLASTIC WASHERS.
  - M6 x 30 BRASS SCREWS TO BE FITTED TO WEIR TANKS TO ENABLE TANKS TO BE JACKED UP AND LEVELLED PRIOR TO COMMISSIONING OF BOOTH.
  - M8 x 25 BOLTS, NUTS AND WASHERS TO BE USED FOR FAN FLANGES.
- LOOSE STARTERS AND OVERLOADS ARE SUPPLIED WITH BOOTH - WIRING BY OTHERS UNLESS OTHERWISE STATED IN RDM QUOTATION. PUMP IS 4KW, FANS ARE 3KW EACH.

MAINS WATER CONNECTION TO BALLCOCK IN SIDE FILLER TANK BY OTHERS UNLESS OTHERWISE STATED IN RDM QUOTATION - 1/2" BSP CONNECTION AT BALLCOCK.

FANS TO BE DUCTED THROUGH ROOF OR SIDE WALL OF BUILDING TO ATMOSPHERE. HOLES TO BE CUT IN ROOF AND SEALED AFTER ERECTION OF DUCTWORK. SUPPLY AND FITTING OF DUCTWORK AND ALL CIVILS WORK BY OTHERS UNLESS STATED OTHERWISE IN RDM QUOTATION.

A	PUMP DELETED AND FLANGE DETAILS SHOWN	21-07-16	AD
ISSUE	REVISION	DATE	SIGN
TITLE			
SPECIAL RDM NWE4000			
WATERWASH BOOTH C/W RH PUMP			
RDM ENGINEERING MIDDLETON MANCHESTER M24 2RY TEL: 0161 643 9333 FAX: 0161 655 3467			
A DIVISION OF RDM INDUSTRIAL SERVICES LTD.			
THIS DRAWING IS THE PROPERTY OF RDM INDUSTRIAL SERVICES LTD. AND SHOULD NOT BE COPIED OR DIVULGED TO A THIRD PARTY WITHOUT WRITTEN CONSENT			
DRAWN	A Dean	DATE	08/07/16
CH'K'D		DATE	
SCALE	1 : 33.33 (A1 SHEET)	FIRST ANGLE PROJECTION	
IF IN DOUBT ASK DO NOT SCALE		ALL DIMENSIONS IN MILLIMETRES	
ORDER	62889	DRG No	34734A